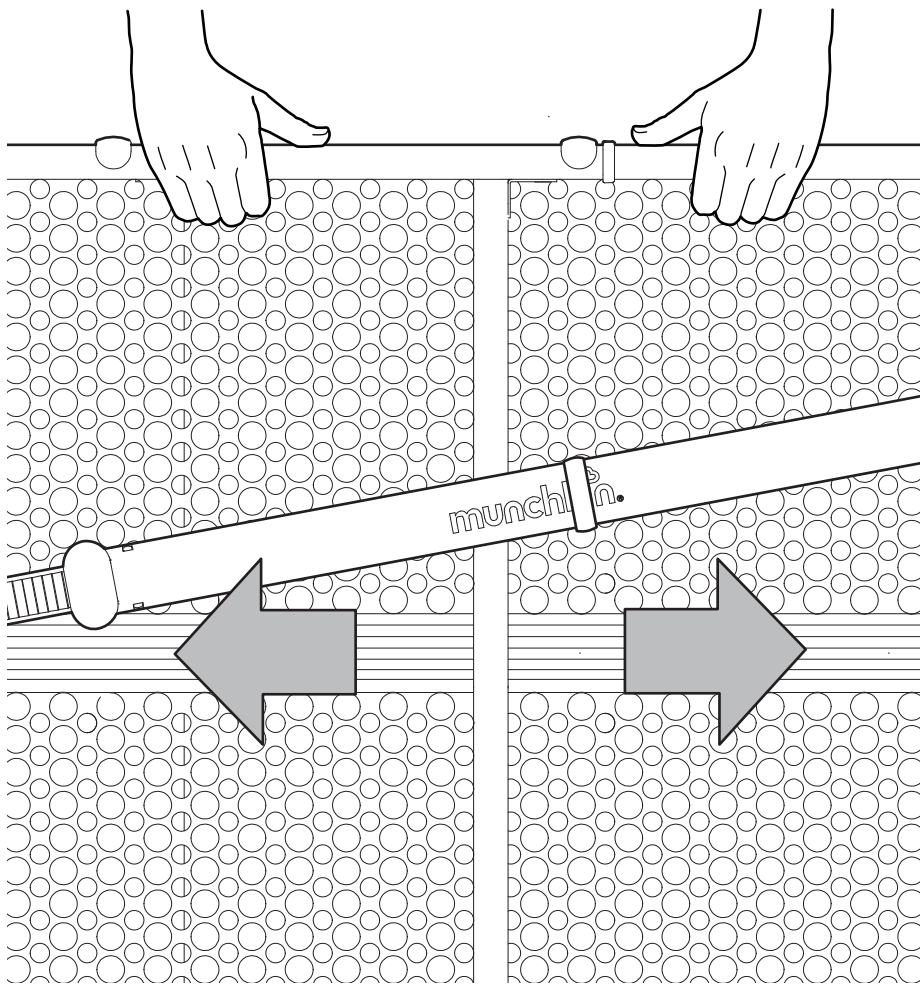
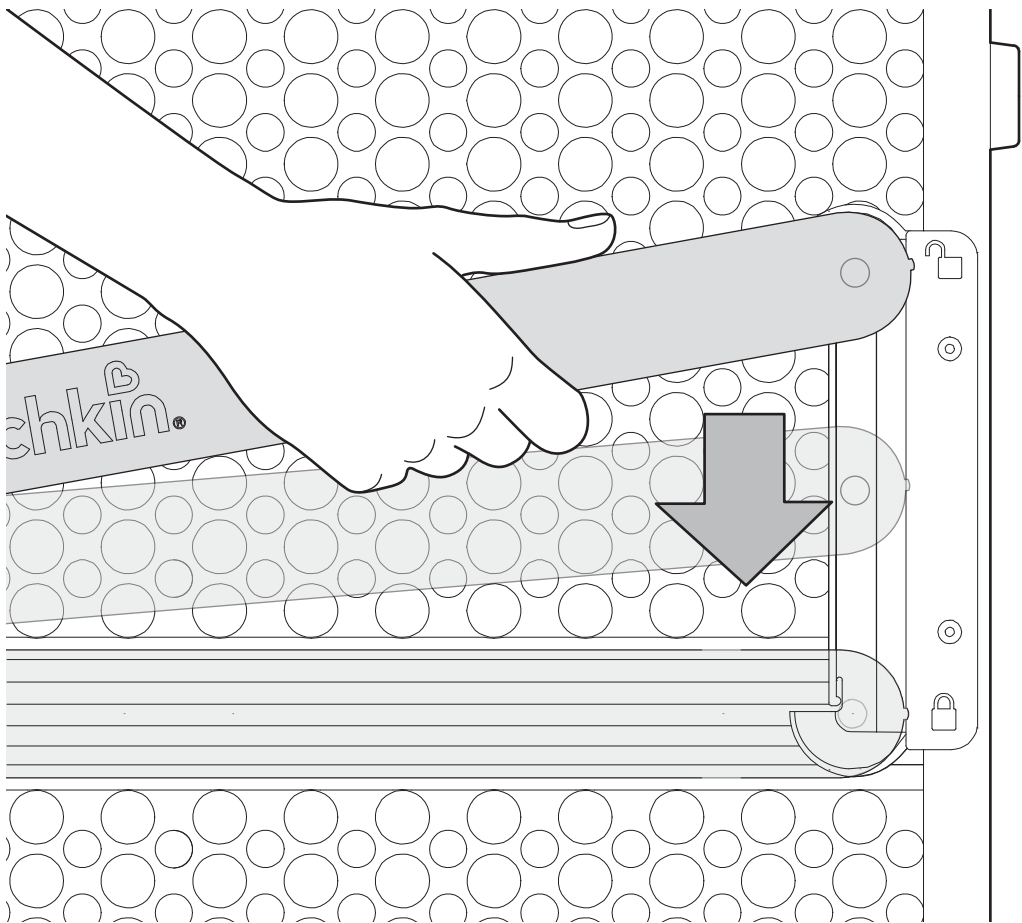


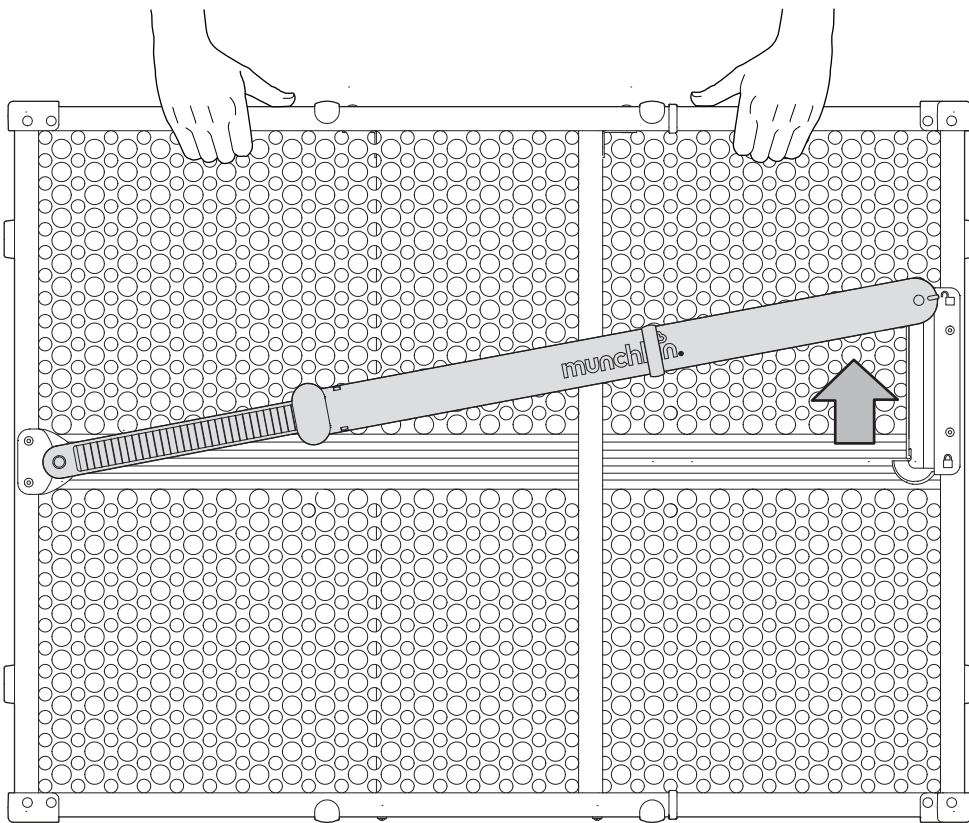
1. Lift locking arm up until it clicks into unlocked position.



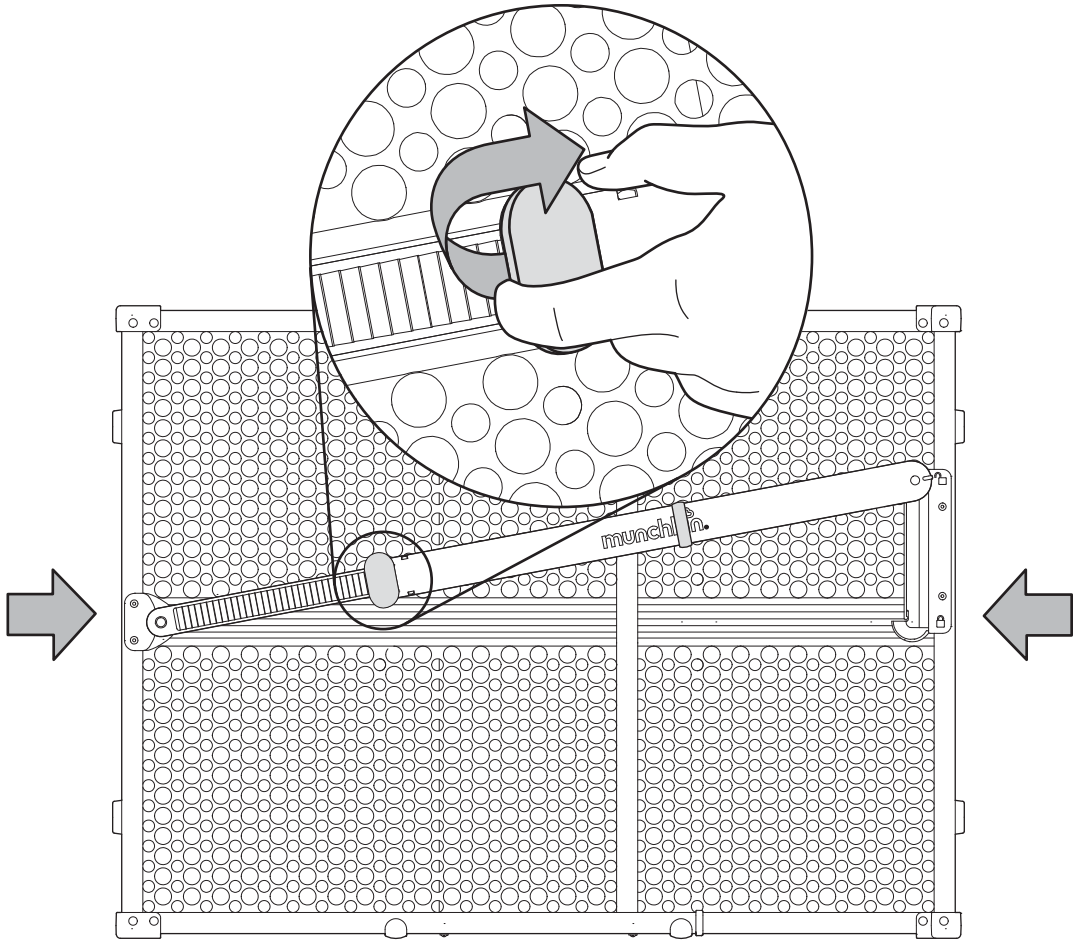
2. Grasp both panels from top of outside corners and stretch gate outwards until both sides of gate fit opening. Mount flush to floor.



3. Push down locking arm until it clicks into the locked position.



4. To open or remove gate, simply lift locking arm back up to unlocked position and remove gate from opening



5. To collapse or shorten gate, pull on the quick release lever button while simultaneously pushing both gate panels together.